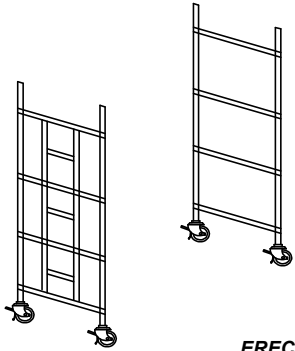


3.6 M DEAL DESK ASSEMBLY

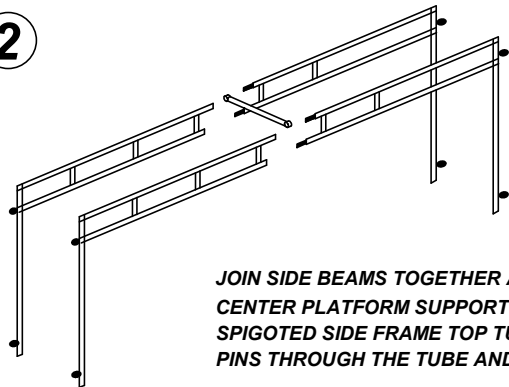
1



INSERT CASTORS AND ADJUSTABLE LEGS INTO END FRAMES, ENSURE LEG ADJUSTING NUTS ARE WOUND TO THE LOWEST POINT.

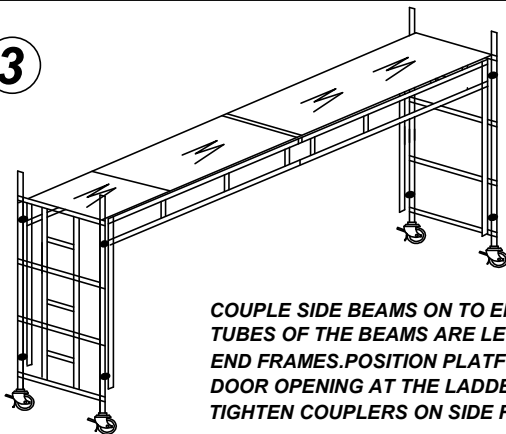
ERECT UNIT AWAY FROM SITE AND PUSH INTO PLACE

2



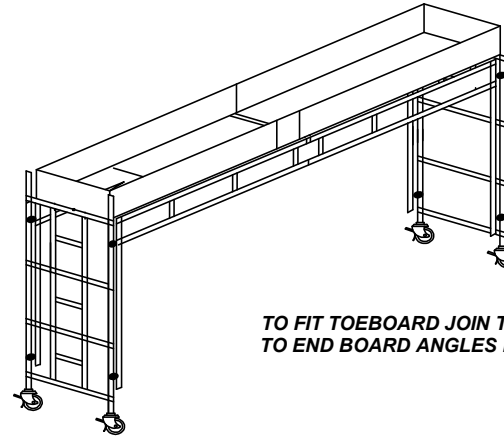
JOIN SIDE BEAMS TOGETHER AS SHOWN ENSURING THAT THE CENTER PLATFORM SUPPORT TUBE SLIDES OVER THE NON SPIGOTED SIDE FRAME TOP TUBES BEFORE FITTING THE JOINT PINS THROUGH THE TUBE AND SPIGOTS.

3



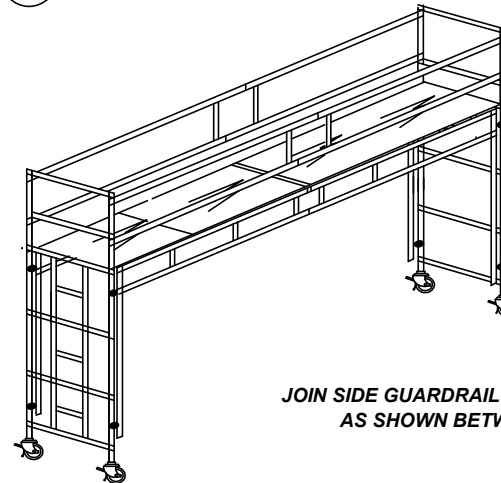
COUPLE SIDE BEAMS ON TO END FRAMES SO THAT THE TOP TUBES OF THE BEAMS ARE LEVEL WITH THE TOP RUNG OF THE END FRAMES. POSITION PLATFORMS AS SHOWN WITH THE HATCH DOOR OPENING AT THE LADDERFRAME END. ONCE IN POSITION TIGHTEN COUPLERS ON SIDE FRAMES.

4



TO FIT TOEBOARD JOIN TWO SIDE BOARDS TOGETHER AND BOLT TO END BOARD ANGLES BEFORE FITTING AROUND PLATFORMS.

5



JOIN SIDE GUARDRAIL BRACE FRAMES TOGETHER AND FIT AS SHOWN BETWEEN GUARDRAIL END FRAMES

WHEN IN POSITION LOCK ALL CASTORS BEFORE USE
FOLLOW ALL SAFETY PROCEDURES WHICH APPLY FOR THE SAFE USE OF SCAFFOLD TOWERS.
WHEREVER POSSIBLE ALWAYS CLIMB UP THE INSIDE OF THE UNIT THROUGH THE HATCHDOOR.
IF IN DOUBT DO NOT GUESS, CONSULT YOUR SUPPLIER.