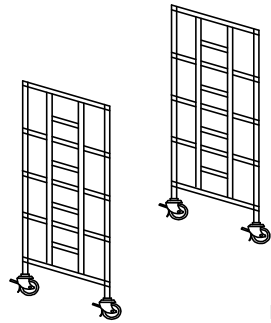


1

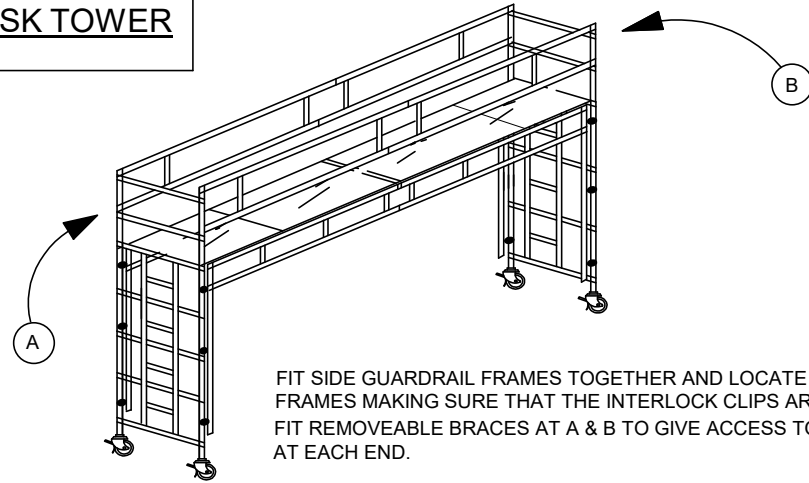
ERECT UNIT AWAY FROM SITE AND PUSH INTO PLACE



INSERT CASTORS AND ADJUSTABLE LEGS INTO END FRAMES, ENSURE LEG ADJUSTING NUTS ARE WOUND TO THE LOWEST POINT.

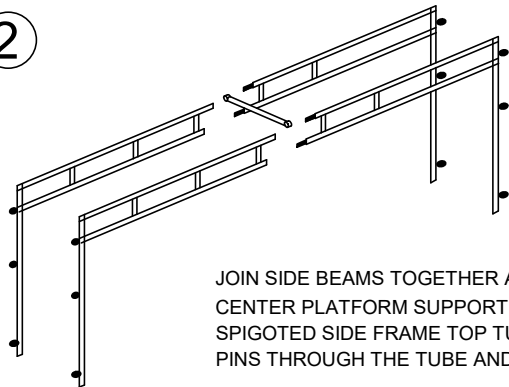
DEALING DESK TOWER

4



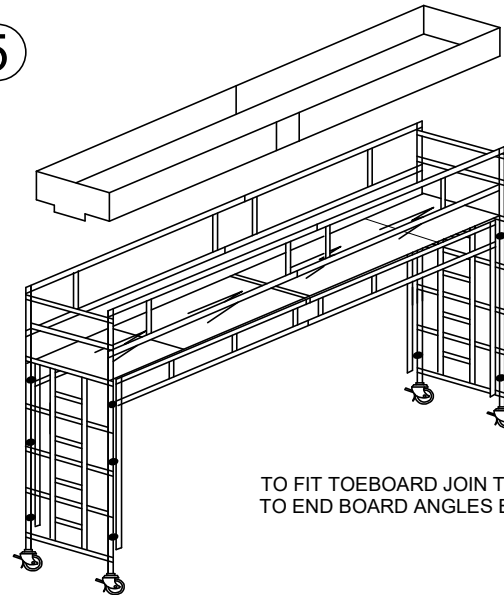
FIT SIDE GUARDRAIL FRAMES TOGETHER AND LOCATE ON TO THE END FRAMES MAKING SURE THAT THE INTERLOCK CLIPS ARE FITTED. FIT REMOVEABLE BRACES AT A & B TO GIVE ACCESS TO PLATFORMS AT EACH END.

2



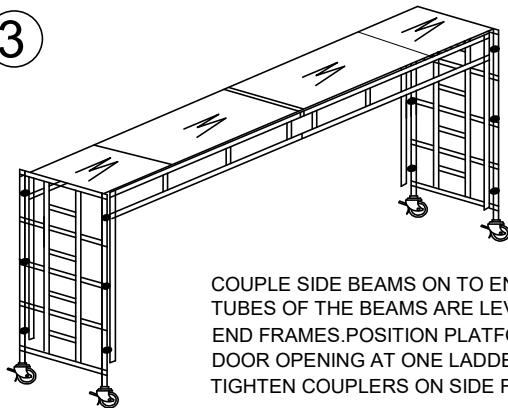
JOIN SIDE BEAMS TOGETHER AS SHOWN ENSURING THAT THE CENTER PLATFORM SUPPORT TUBE SLIDES OVER THE NON SPIGOTED SIDE FRAME TOP TUBES BEFORE FITTING THE JOINT PINS THROUGH THE TUBE AND SPIGOTS.

5



TO FIT TOEBOARD JOIN TWO SIDE BOARDS TOGETHER AND BOLT TO END BOARD ANGLES BEFORE FITTING AROUND PLATFORMS.

3



COUPLE SIDE BEAMS ON TO END FRAMES SO THAT THE TOP TUBES OF THE BEAMS ARE LEVEL WITH THE TOP RUNG OF THE END FRAMES. POSITION PLATFORMS AS SHOWN WITH THE HATCH DOOR OPENING AT ONE LADDERFRAME END. ONCE IN POSITION TIGHTEN COUPLERS ON SIDE FRAMES.

WHEN IN POSITION LOCK ALL CASTORS BEFORE USE FOLLOW ALL SAFETY PROCEDURES WHICH APPLY FOR THE SAFE USE OF SCAFFOLD TOWERS. WHEREVER POSSIBLE ALWAYS CLIMB UP THE INSIDE OF THE UNIT THROUGH THE HATCHDOOR. IF IN DOUBT DO NOT GUESS, CONSULT YOUR SUPPLIER.