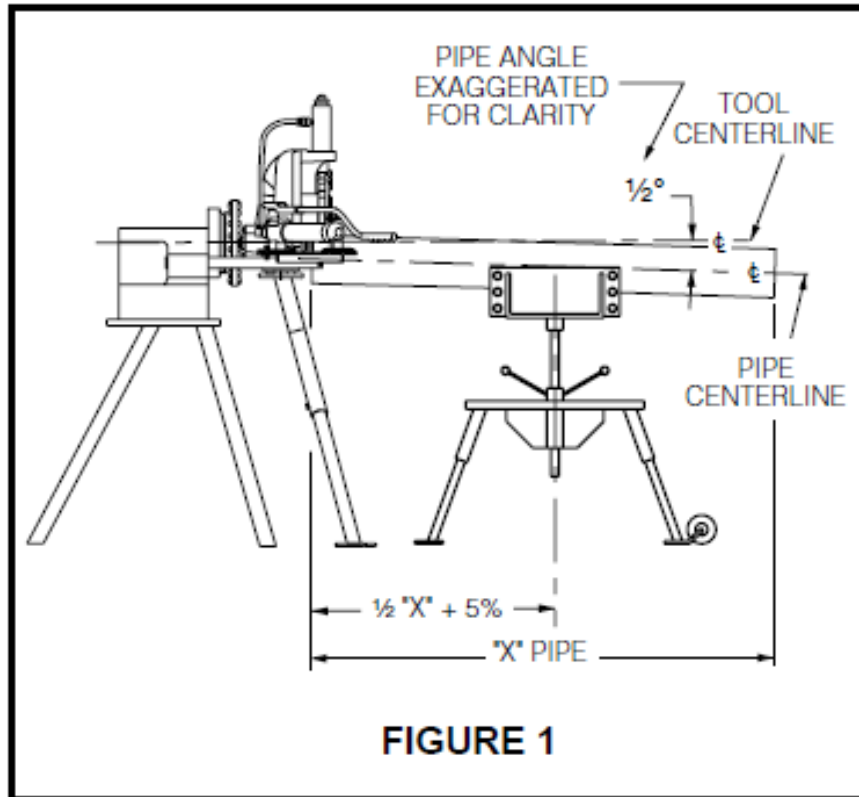


1. Place the pipe stand at a distance slightly beyond one half the pipe length from the tool (see Figure 1).



2. Position the pipe stand approximately $1/2^\circ$ to the left (tracking angle). See Figure 2.

